

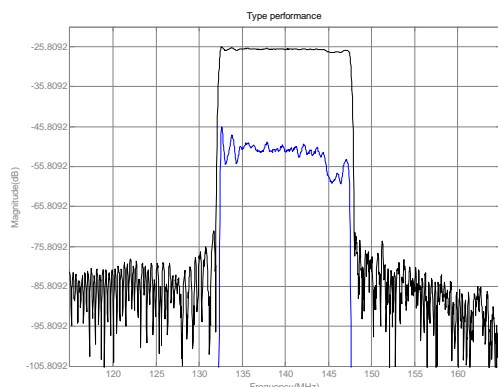


LBN14045 SAW Filter Electrical Characteristic

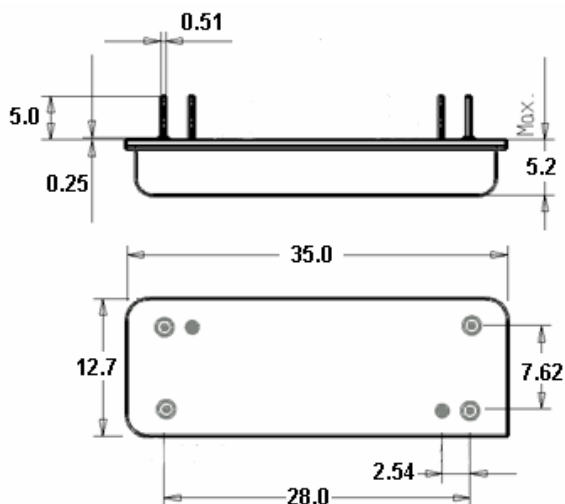
Specifications

Parameter	Unit	Minimum	Typical	Maximum
Center Frequency	MHz	139.875	140	140.125
Insertion Loss	dB	-	25	27
1.5 dB Bandwidth	MHz	15	15.05	-
20 dB Bandwidth	MHz	-	15.75	15.8
25 dB Bandwidth	MHz	-	15.9	16.05
30 dB Bandwidth	MHz	-	16.05	16.5
40 dB Bandwidth		-	16.15	17.5
Ultimate Rejection	dB	40	45	-
Passband Variation	dB	-	1.2	1.5
Absolute Delay	usec	-	2.85	2.95
Substrate Material		YZ LN		
Ambient Temperature	°C	25		
Package Size		DIP3512 (35.2x12.7x5.2mm ³)		

Typical Performance



Package Outline



Matching Configuration



Source/Load Impedance=50 ohm

Notes - Component values may change depending on board layout.